

# LU960UST

## BenQ DLP Projector

- 5,200 AL BlueCore Laser Light Source
- Support Wide Corner Fit Adjustment with 0.25 T/R Ultra Short Throw
- sRGB Mode For 92% Rec 709 Colour Accuracy
- Fast Mode < 16.67 ms Low Latency
- White Balance Calibration For Seamless Blending
- Support 360° and Portrait Projection
- Dustproof Sealed Laser Engine with 20,000 Hours of Life at Full Power
- 5 Years Warranty



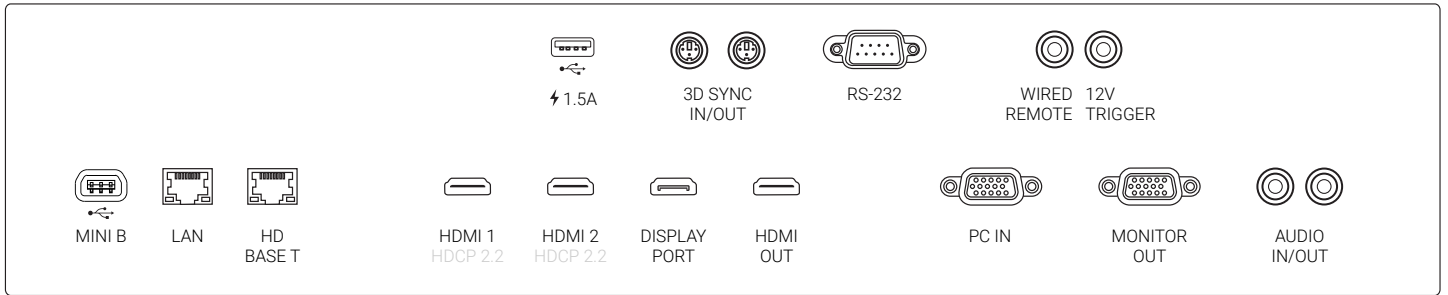
|  |  |
|--|--|
| <b>Display</b>                             |  |
| <b>Projection System</b>                   | DLP Single 0.48" WUXGA   |
| <b>DMD Type</b>                            | DC3 DMD Chip   |
| <b>Native Resolution</b>                   | 1920 x 1200 pixels   |
| <b>Brightness</b>                          | 5200 ANSI lumens   |
| <b>Contrast Ratio<sup>1</sup></b>          | 3,000,000:1  |
| <b>Display Colour</b>                      | 1.07 billion colours   |
| <b>Aspect Ratio</b>                        | Native 16:10 (6 aspect ratio selectable)   |
| <b>Light Source</b>                        | Laser diodes   |
| <b>Light Source life<sup>2</sup></b>       | 20,000/38,000/70,000 hours(Normal/Eco/Dimming)   |
| <b>Optical*</b>                            |  |
| <b>Throw Ratio</b>                         | 0.25   |
| <b>Zoom Ratio</b>                          | N/A  |
| <b>Lens shift</b>                          | Digital lens shift (± Vertical 5% @ 1080P)   |
| <b>Keystone Correction</b>                 | Vertical: ± 30 degrees, Horizontal: ± 30 degrees   |
| <b>Projection Offset</b>                   | 122%   |
| <b>Projection Size</b>                     | 100"~150"  |
| <b>Audio</b>                               |  |
| <b>Built-in Speaker</b>                    | 10W  |
| <b>Special Feature</b>                     |  |
| <b>Security</b>                            | Security bar, Kensington anti-theft lock slot  |
| <b>Feature</b>                             | Rec.709 92%, Blank to true black, 4K compatible, DICOM mode, 360 degree and portrait projection, Custom lightsource mode (light power adjustment), Dust proof engine, 24/7 hours operating, FW upgrade by LAN, Digital lens shift, Blanking, Dynamic dimming, Native resolution switch, Fast mode, Corner fit, 2D keystone, Digital shrink and shift |
| <b>Compatibility</b>                       |  |
| <b>Resolution Support</b>                  | VGA(640 x 480) to WUXGA(1920 x 1200)   |
| <b>Horizontal Frequency</b>                | 15~102KHz  |
| <b>Vertical Scan Rate</b>                  | 23 ~ 120 Hz  |
| <b>HDTV Compatibility</b>                  | 480i, 480p, 576i, 567p, 720p, 1080i, 1080p   |
| <b>Video Compatibility</b>                 | NTSC, PAL, SECAM   |
| <b>Power</b>                               |  |
| <b>Power Consumptions (Max/Normal/Eco)</b> | 500W/450W/339W   |
| <b>Standby Power Consumption</b>           | Normal < 0.5W, Network < 2W  |
| <b>Power Supply</b>                        | 100 ~ 240V AC  |
| <b>Dimension and Weight</b>                |  |
| <b>Product Dimensions (WxHxD)</b>          | 480 x 157.4 x 473 mm   |
| <b>Product Weight</b>                      | 12 kg  |
| <b>Operation Condition</b>                 |  |
| <b>Noise Level (Normal/Eco)</b>            | 37/35dBA   |
| <b>Operating Temperature</b>               | 0 ~ 40°C   |
| <b>Accessories</b>                         |  |
| <b>Accessories (Standard)</b>              | Installation guide, Safety guide, Remote control (RCA024), AA batteryx2, Power cord, Warranty card (by Region)   |
| <b>Accessories (Optional)</b>              | Instashow WDC10/WDC20/WDC30/VS20, Ceiling mount (CMG6), 3D glasses   |
| <b>OSD</b>                                 |  |
| <b>On Screen Display Language</b>          | Arabic/Bulgarian/ Croatian/ Czech/ Danish/ Dutch/ English/ Finnish/ French/ German/ Greek/ Hindi/ Hungarian/ Italian/ Indonesian/ Japanese/ Korean/ Norwegian/ Polish/ Portuguese/ Romanian/ Russian/ Simplified Chinese/Spanish/ Swedish/ Turkish/ Thai/ Traditional Chinese (28 Languages)   |

<sup>1</sup> The Contrast is measured by Full On Full Off standard.

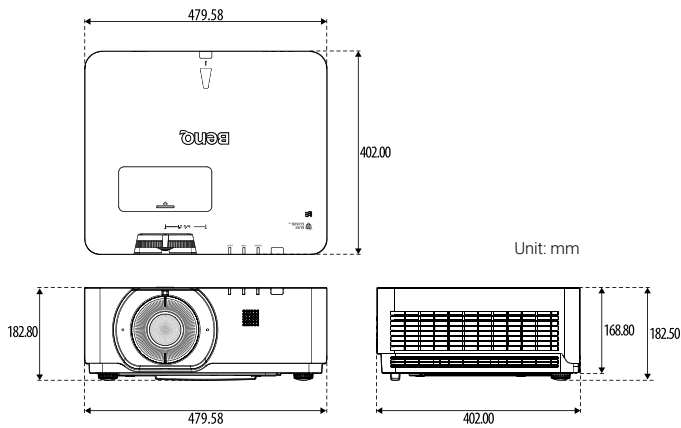
<sup>2</sup> Light Source Life results will vary depending on environmental conditions & usage.

\* All related Optical Values are measured by Standard Lens.

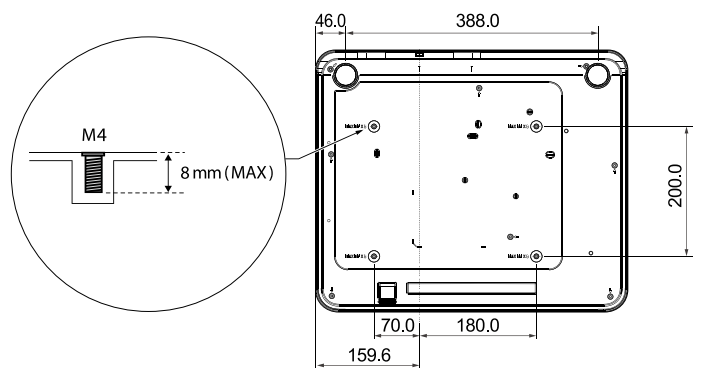
## INPUT AND OUTPUT TERMINALS



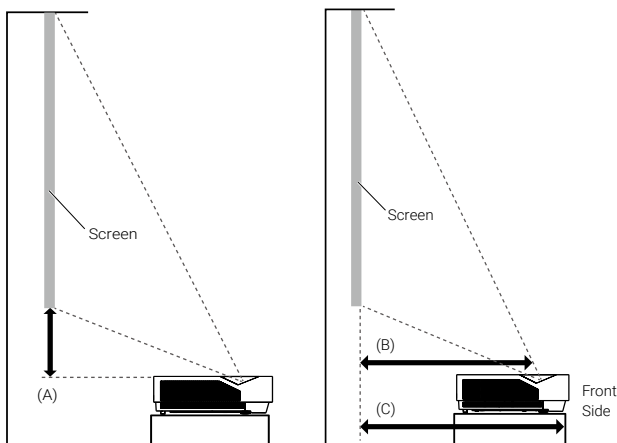
## DIMENSIONS



## CEILING / WALL MOUNT CHART



## PROJECTION DIMENSIONS



## DISTANCE CHART

| Diagonal | Image Width |       | Image Height |      | Off-set                            | Fix                                 | Distance (mm)                 |      | Distance (mm) |      |     |
|----------|-------------|-------|--------------|------|------------------------------------|-------------------------------------|-------------------------------|------|---------------|------|-----|
|          |             |       |              |      | Projector Top to Screen Bottom (A) | Center of Cover Glass to Screen (B) | Projector Front to Screen (C) |      |               |      |     |
| Inch     | mm          | Inch  | mm           | Inch | mm                                 | Inch                                | mm                            | Inch | mm            | Inch | mm  |
| 70       | 1778        | 59.4  | 1508         | 37.1 | 943                                | 5.4                                 | 136                           | 12.9 | 328           | 15.8 | 402 |
| 80       | 2032        | 67.8  | 1723         | 42.4 | 1077                               | 6.4                                 | 163                           | 15   | 382           | 17.9 | 456 |
| 87       | 2210        | 73.8  | 1874         | 46.1 | 1171                               | 7.2                                 | 182                           | 16.5 | 420           | 19.4 | 494 |
| 90       | 2286        | 76.3  | 1939         | 47.7 | 1212                               | 7.5                                 | 190                           | 17.2 | 436           | 20.1 | 510 |
| 100      | 2540        | 84.8  | 2154         | 53   | 1346                               | 8.6                                 | 217                           | 19.3 | 491           | 22.2 | 565 |
| 120      | 3048        | 101.8 | 2585         | 63.6 | 1616                               | 10.7                                | 271                           | 23.6 | 599           | 26.5 | 673 |
| 150      | 3810        | 127.2 | 3231         | 79.5 | 2019                               | 13.9                                | 352                           | 30   | 762           | 32.9 | 836 |



[benq.eu/en-eu/business/projector.html](http://benq.eu/en-eu/business/projector.html)

**BENQ**

© 2023 BenQ Corp. Specifications may vary by region, please visit your local stores for details. Actual product's features and specifications are subject to change without notice. This material may include corporate names and trademarks of third parties which are the properties of the third parties respectively.